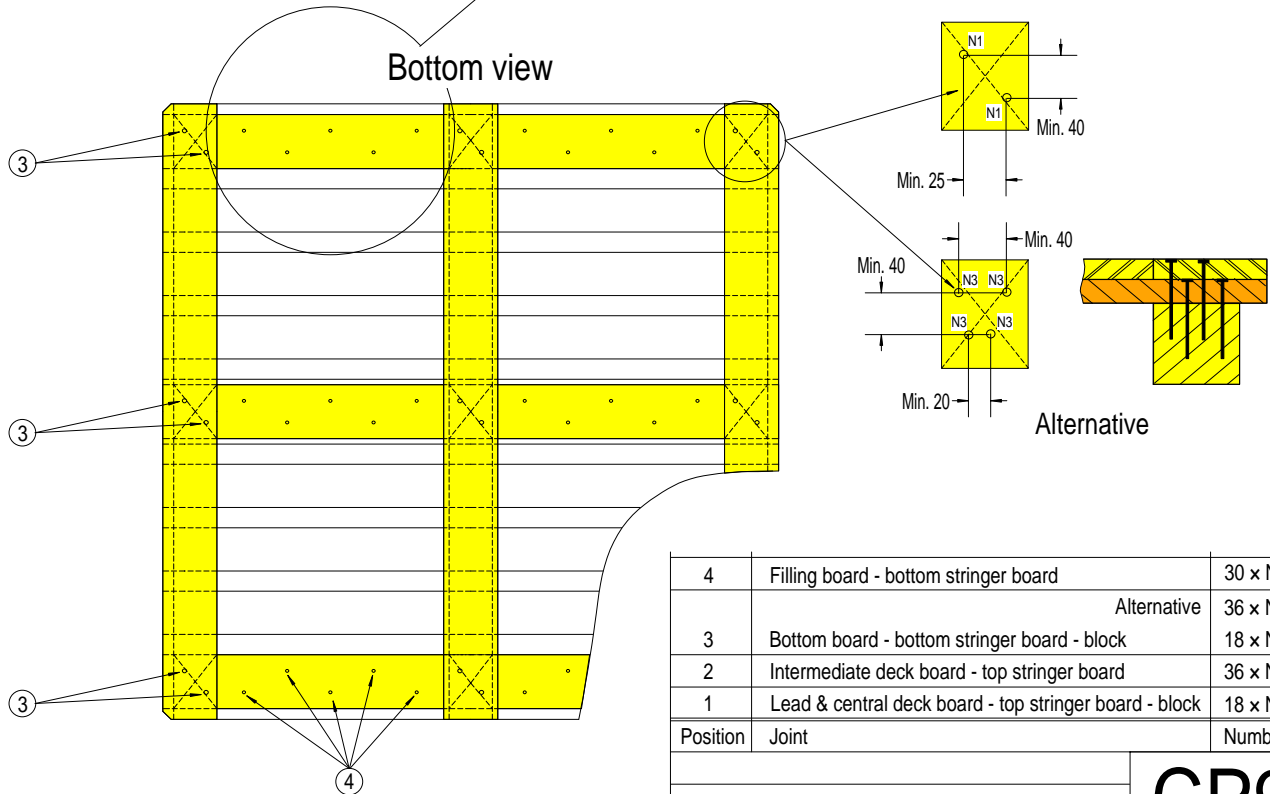
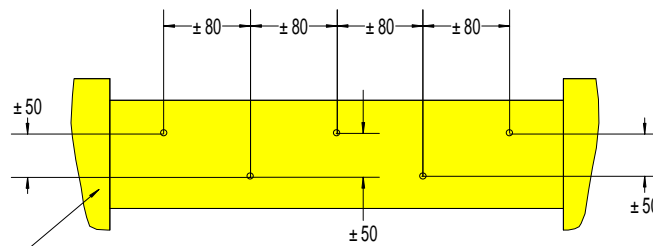
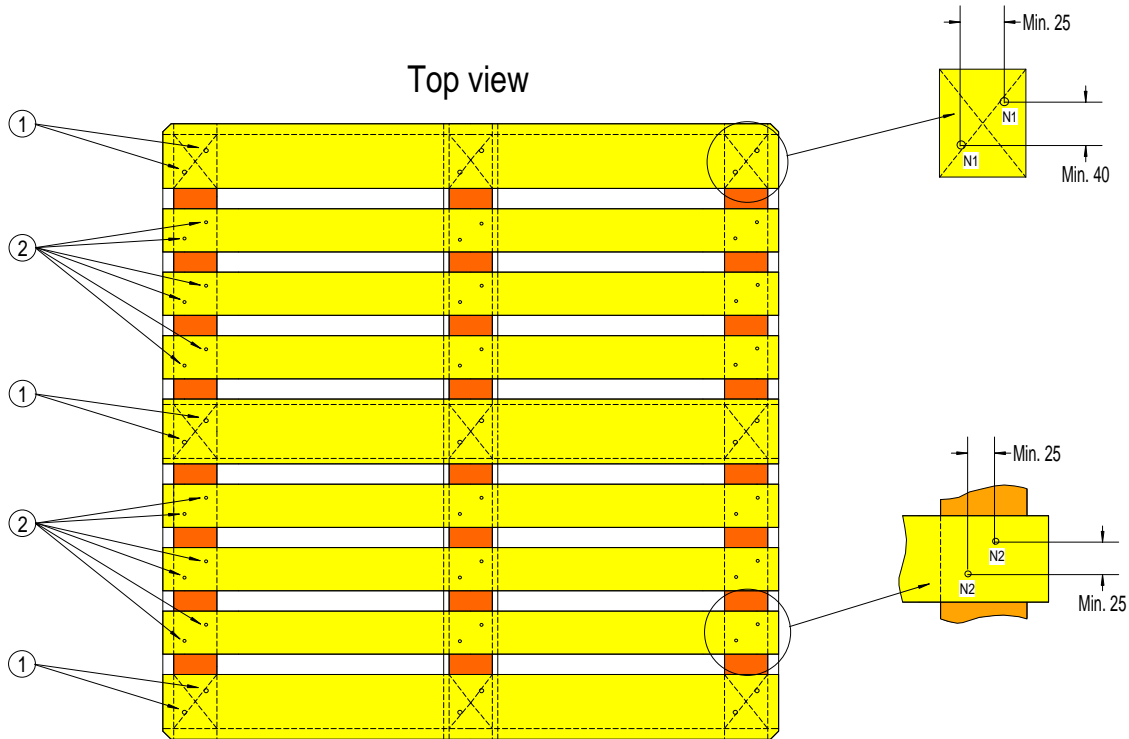




# Fastening pattern



4	Filling board - bottom stringer board	30 × N2
	Alternative	36 × N3
3	Bottom board - bottom stringer board - block	18 × N1
2	Intermediate deck board - top stringer board	36 × N2
1	Lead & central deck board - top stringer board - block	18 × N1
Position	Joint	Number

Unit of measurement: mm

Wooden pallet 1140 × 1140 mm

# CP9

April 2004

Edition: 6