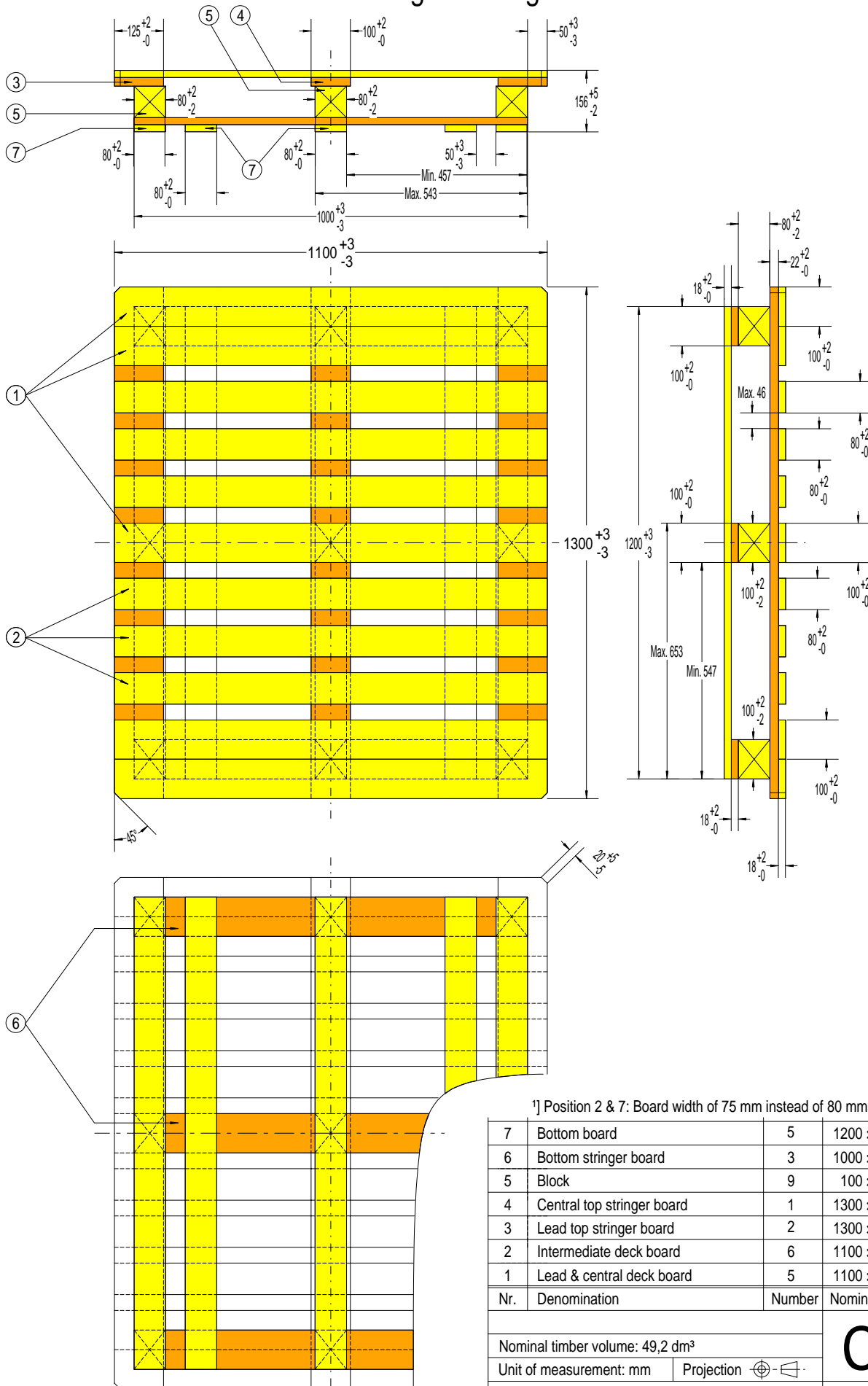


# Design drawing



1] Position 2 & 7: Board width of 75 mm instead of 80 mm may be used.

7	Bottom board	5	1200 x 80 x 18 <sup>1]</sup>
6	Bottom stringer board	3	1000 x 100 x 18
5	Block	9	100 x 80 x 80
4	Central top stringer board	1	1300 x 100 x 22
3	Lead top stringer board	2	1300 x 125 x 22
2	Intermediate deck board	6	1100 x 80 x 18 <sup>1]</sup>
1	Lead & central deck board	5	1100 x 100 x 18

Nr.	Denomination	Number	Nominal dimensions
-----	--------------	--------	--------------------

Nominal timber volume: 49,2 dm<sup>3</sup>

Unit of measurement: mm Projection

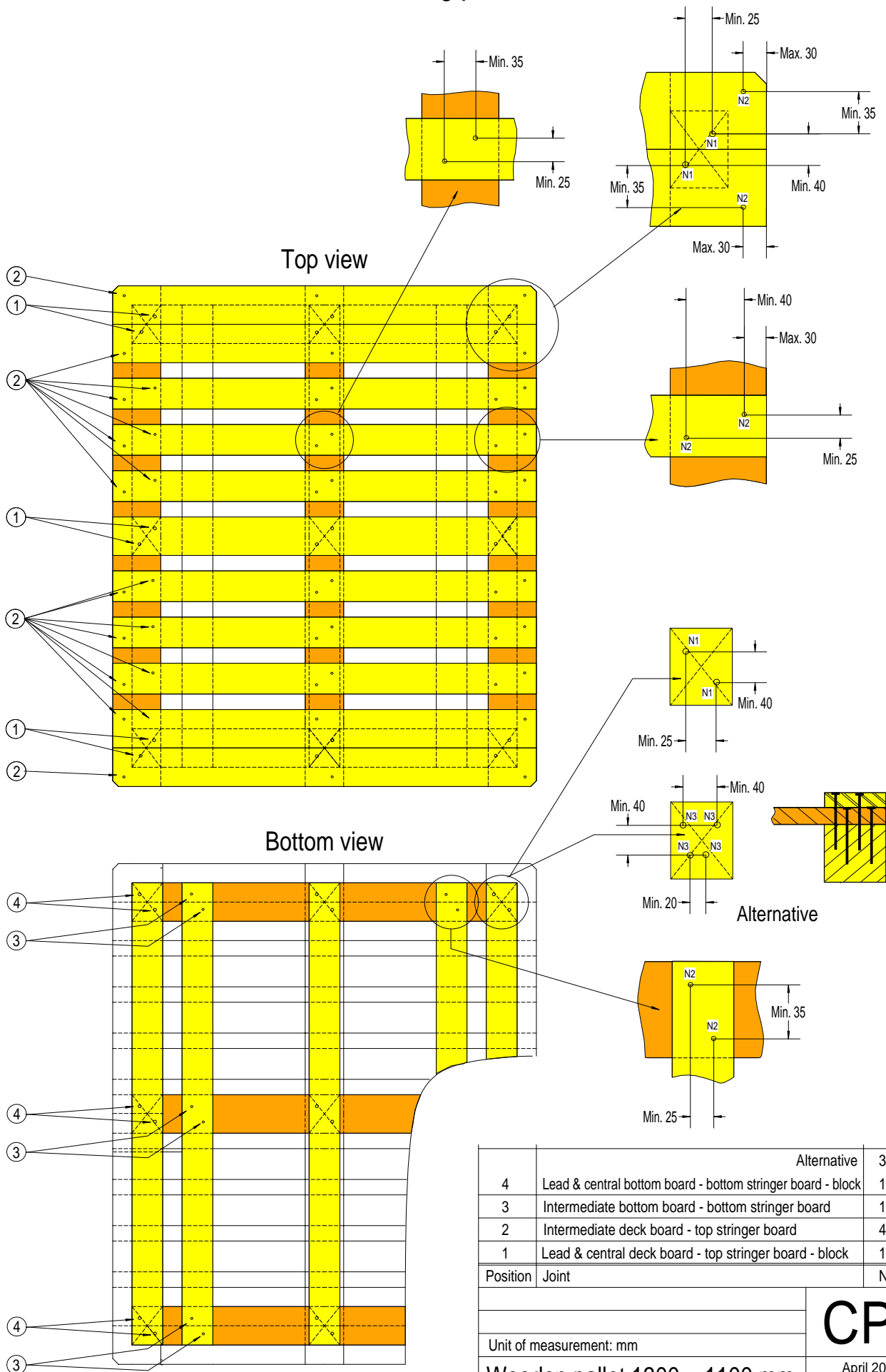
Wooden pallet 1300 x 1100 mm

# CP7

April 2004

Edition: 6

# Fastening pattern



		Alternative	36 x N3
4	Lead & central bottom board - bottom stringer board - block		18 x N1
3	Intermediate bottom board - bottom stringer board		12 x N2
2	Intermediate deck board - top stringer board		48 x N2
1	Lead & central deck board - top stringer board - block		18 x N1
Position	Joint		Number

Unit of measurement: mm		CP7
Wooden pallet 1300 x 1100 mm		
April 2004		
		Edition: 6