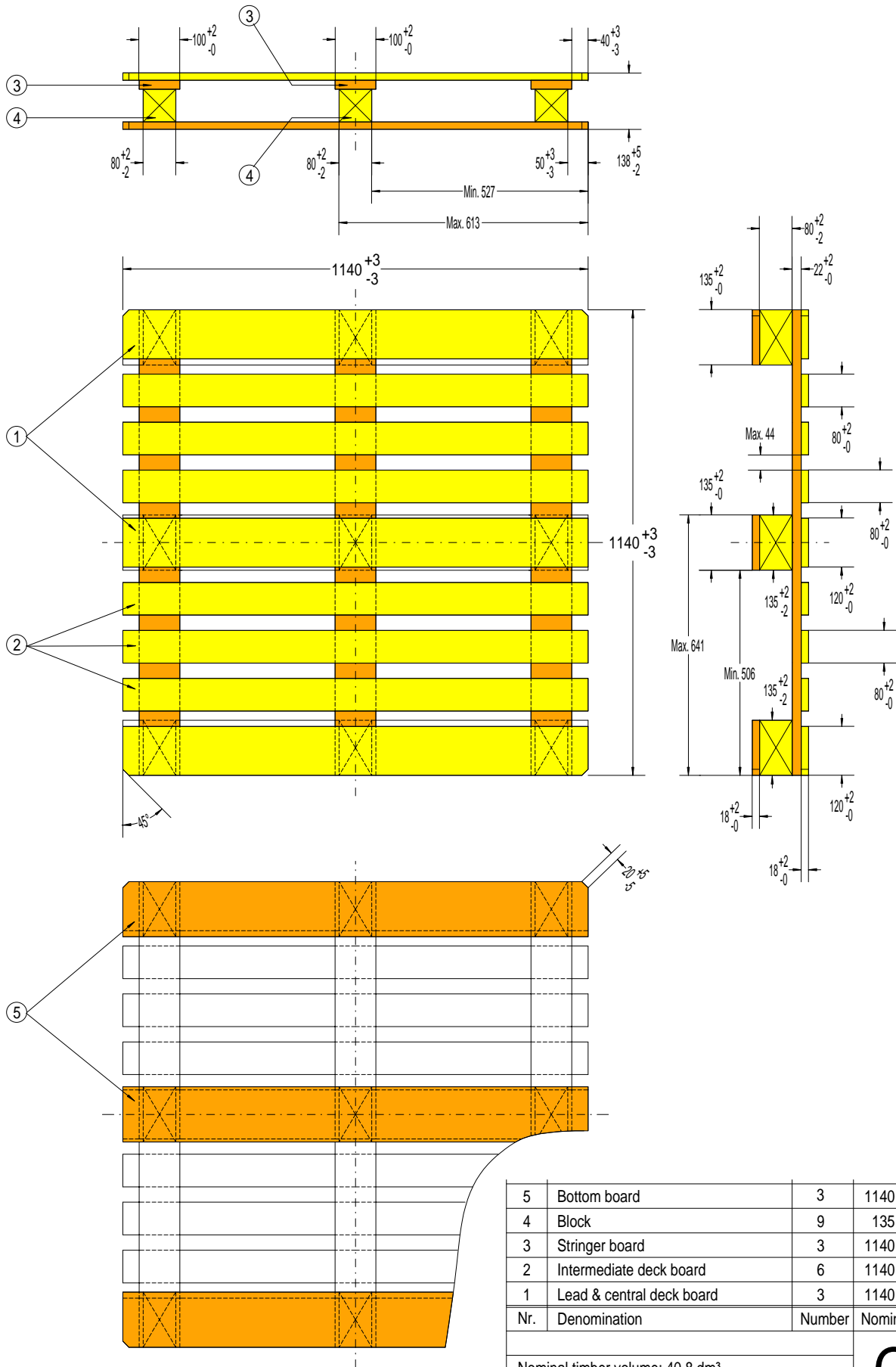


# Design drawing



| 5   | Bottom board              | 3      | 1140 x 135 x 18    |
|-----|---------------------------|--------|--------------------|
| 4   | Block                     | 9      | 135 x 80 x 80      |
| 3   | Stringer board            | 3      | 1140 x 100 x 22    |
| 2   | Intermediate deck board   | 6      | 1140 x 80 x 18     |
| 1   | Lead & central deck board | 3      | 1140 x 120 x 18    |
| Nr. | Denomination              | Number | Nominal dimensions |

Nominal timber volume: 40,8 dm<sup>3</sup>

Unit of measurement: mm Projection

Wooden pallet 1140 x 1140 mm

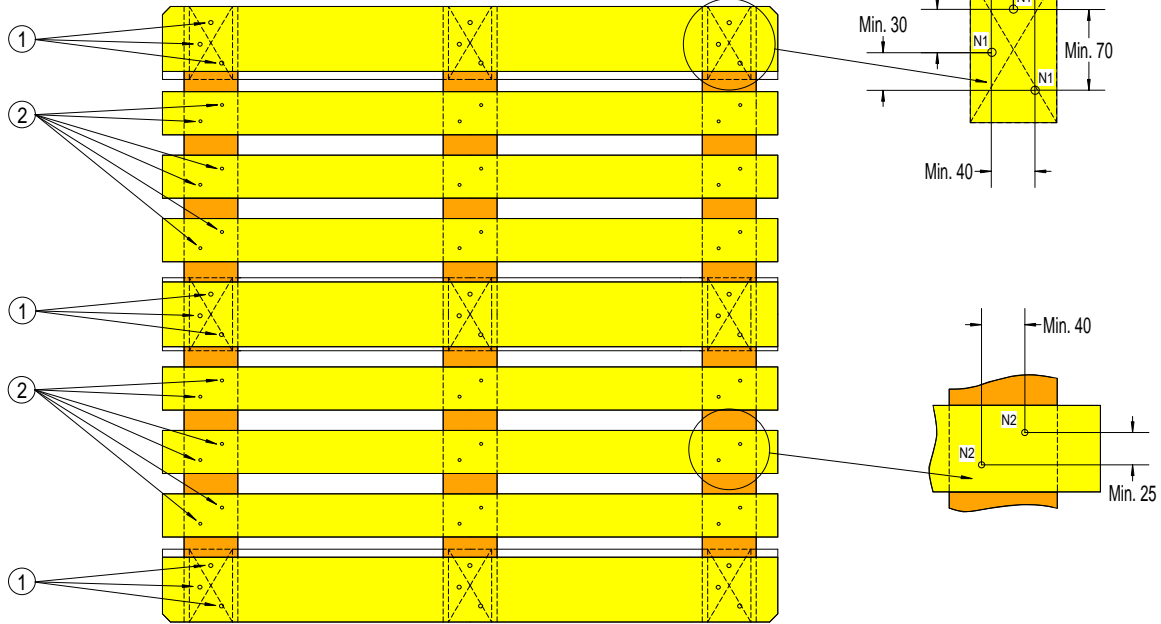
# CP3

April 2004

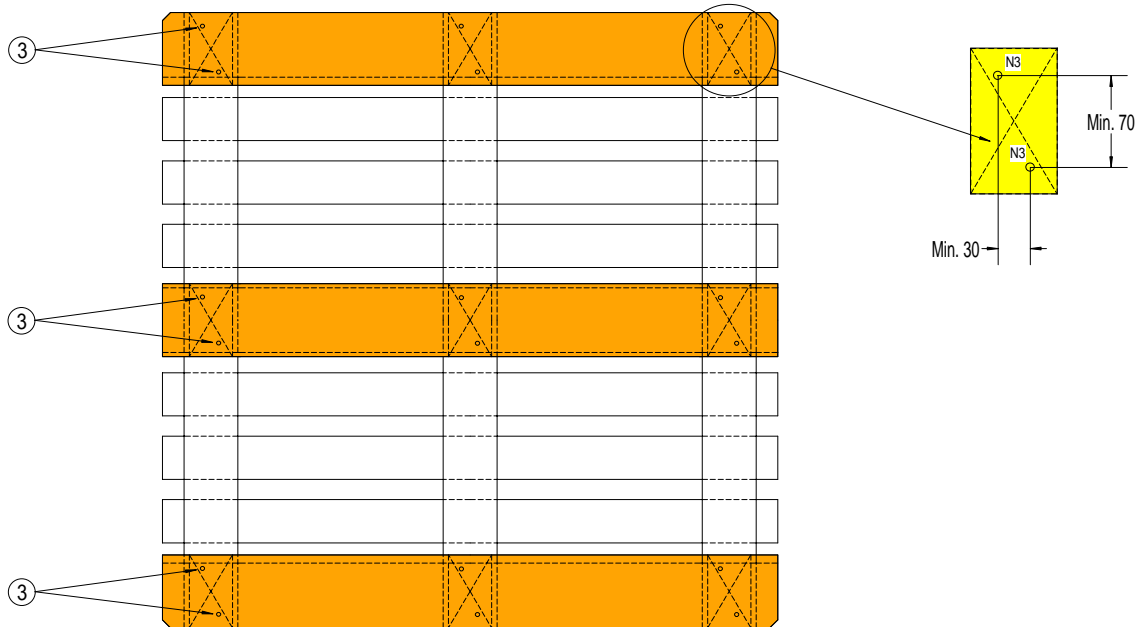
Edition: 6

# Fastening pattern

## Top view



## Bottom view



|                              |  |              |
|------------------------------|--|--------------|
| 3                            | Bottom board - block                               | 18 × N3      |
| 2                            | Intermediate deck board - stringer board           | 36 × N2      |
| 1                            | Lead & central deck board - stringer board - block | 27 × N1      |
| Position                     | Joint  | Number       |
|                              |  | <h1>CP3</h1> |
| Unit of measurement: mm      |  |              |
| Wooden pallet 1140 × 1140 mm |  |              |
|                              |  | April 2004   |
|                              |  | Edition: 6   |